

OPEN WIDTH - 360-25 TO GLASS-12 GLASS - 12 SPACER

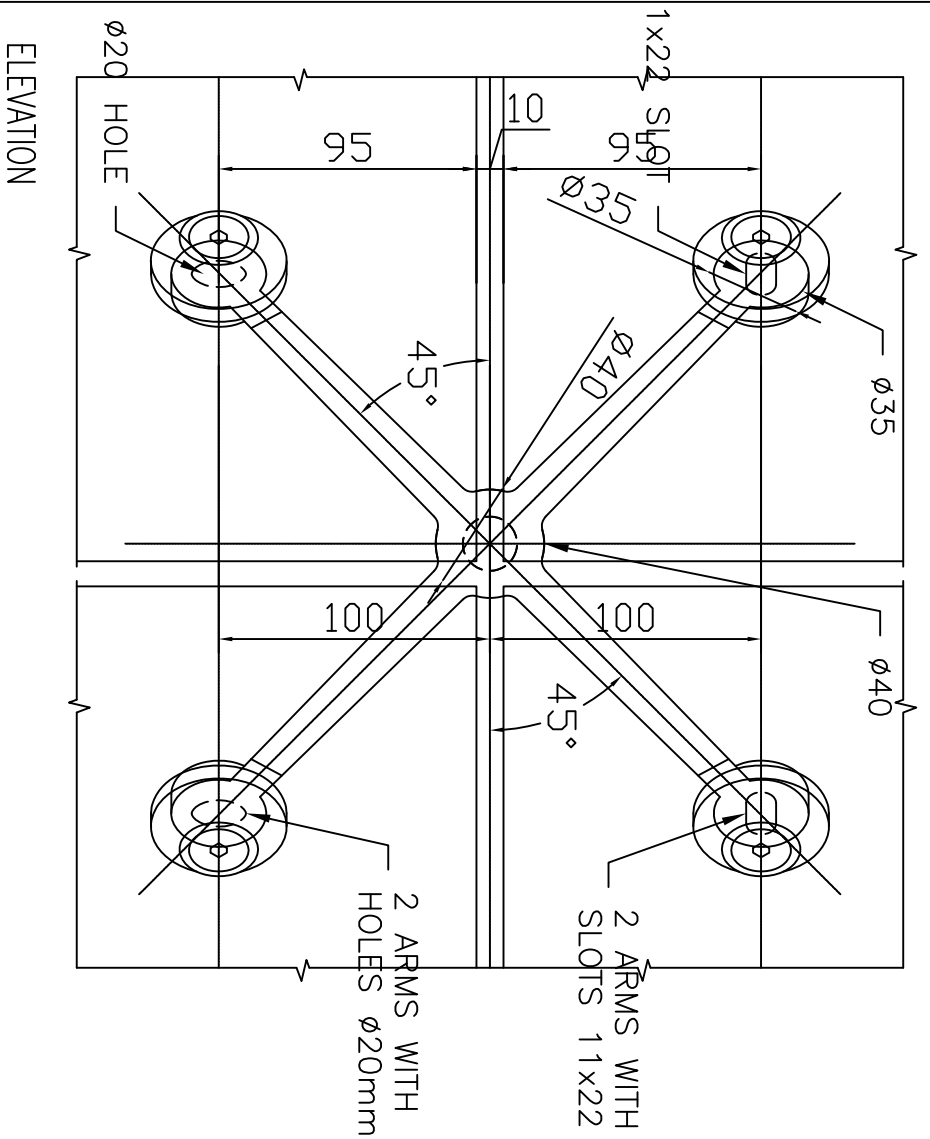
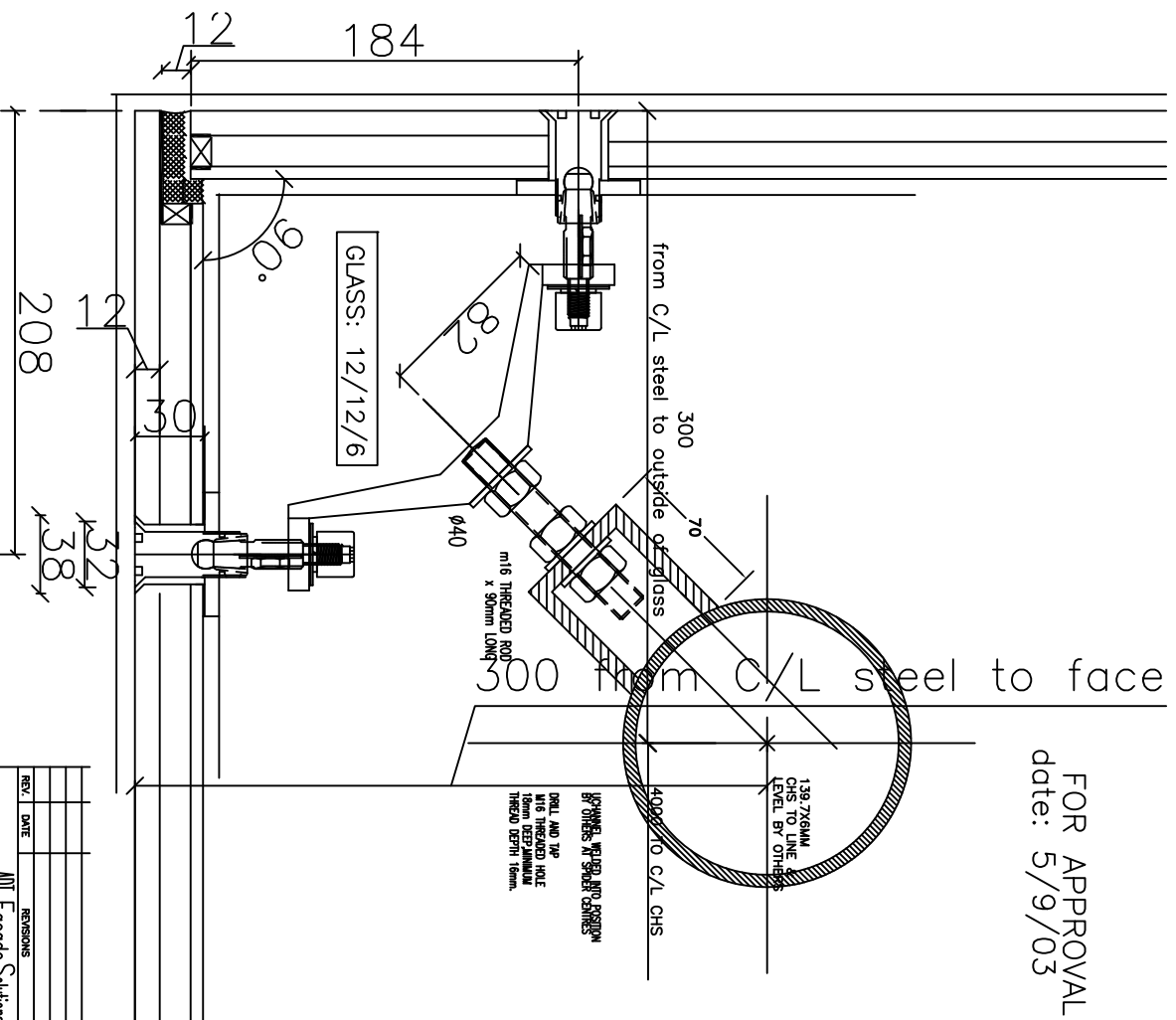


FIG. 446/4/90° CORNER
4 WAY GLASS CONNECTION



FOR APPROVAL
date: 5/9/03

ALL DIMENSIONS IN MILLIMETRES
ALL DIMENSIONS ARE APPROXIMATE SIZES ONLY

REV.	DATE	REVISIONS
PROJECT Structural glazing		
ARCHITECT Facade Solutions THE NATIONAL COMING SCALE NUMBER 9		
DRAWN BY CT		
SCALE ØA3 N.T.S	DATE 13/6/03	
TITLE Bracket type 03		
DWG No. 2003-23-BRK03		REV. C