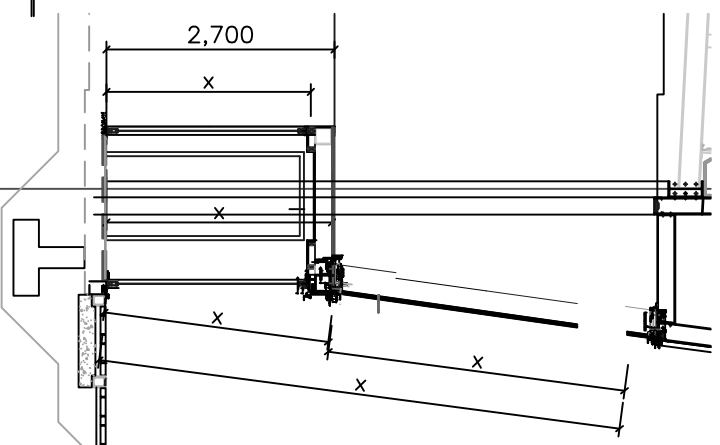
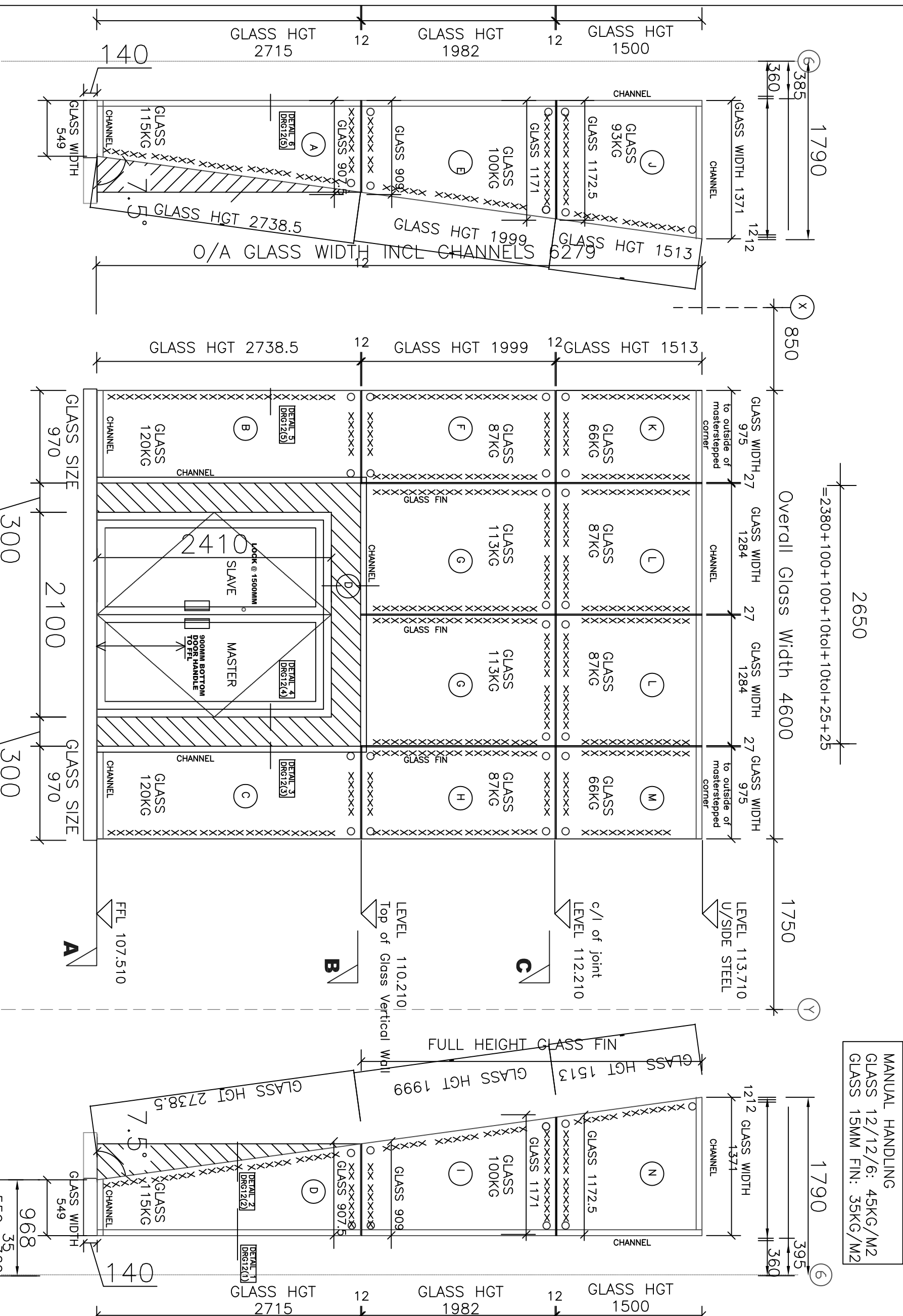


MANUAL HANDLING
GLASS 12/12/6: 45KG/M2
GLASS 15MM FIN: 35KG/M2



NOTE:
FRIT BLACK TO FACE 2 & FACE 3
AS PER ATTACHED DETAILS.
ALL HST GLASS AS PER SPECIFICATION
ALL BLACK SPACER BAR
XXX INDICATES FRITTED EDGE

CHANNEL = STAINLESS STEEL CHANNEL
GLASS = 12 TG HST/12/6TG HST
K/ Low E Glass
ALL UNITS SILICON SEALED
ARMOR PLATE HOLES TO BE COUNTERSUNK
AND SILICON SEALED & FRITTED

REV.	DATE	DEREK COMMENT NOTE REVISIONS
A	09/07	DEREK COMMENT NOTE REVISIONS
B	11/08	FIN ADDED
C	22/8	PER ARCH COMMENTS 19/8
D	26/8	GLASS SIZES ADDED
E	4/9	SIZES AMENDED

ADT Facade Solutions
THE MILLMUM CENTRE SCR. DRUM 8

PROJECT
Structural Glazing

ARCHITECT
FACE

DRAWN BY
SCALE
DATE

TITLE
STRUCTURAL GLAZING
SCHEDULE

DWG No.
2003-23-SCH04(10F2)

WG04:SIDE ELEVATION
VERTICAL SCREEN

WG04:FRONT ELEVATION
RAKED SCREEN
COMMERCIAL DOOR

WG04:SIDE ELEVATION
VERTICAL SCREEN

NOTE:
ALL OPEN OUT DOORS TO HAVE BOLLARD, HOOK & EYE BY MAIN CONTRACTOR
DRAINED MATTWELL TO DOORS BY MAIN CONTRACTOR

LOCK?
KEYPAD/MAGNETIC LOCK BY OTHERS?

FOR APPROVAL
DATE: 4/9/03